



**NETZIN Technology Co., Ltd.**

3F., No.284, Zhongshan 1st Rd., Luzhou Dist., New Taipei City 247, Taiwan (R.O.C.)

T +886.2.82855327      F +886.2.82856551

<http://www.netzintech.com>      [mail:service@netzintech.com](mailto:service@netzintech.com)

# Table Of Contents

## INDUSTRIAL SOLUTIONS

About NetZin.....	1
NetZin Quality.....	2
Intelligent Transportation Systems.....	3
Environmental and Facility Management Systems .....	4
Wind Power Transmission System .....	4

## NETZIN FEATURE

I <sup>2</sup> RING .....	5.6
---------------------------	-----

## ETHERNET SELECTION GUIDE

Harden Industrial PoE Manged switch .....	7
Harden Industrial Manged switch .....	8
Industrial Rack Manged PoE switch .....	9
Central Managed Switches .....	10
Industrial Unmanged POE switch .....	11
Industrial Unmanaged switch .....	12
Industrial Media converter .....	13
Industrial Media converter .....	14
Industrial Power&Accessories .....	15
SFP (Mini GBIC) .....	16



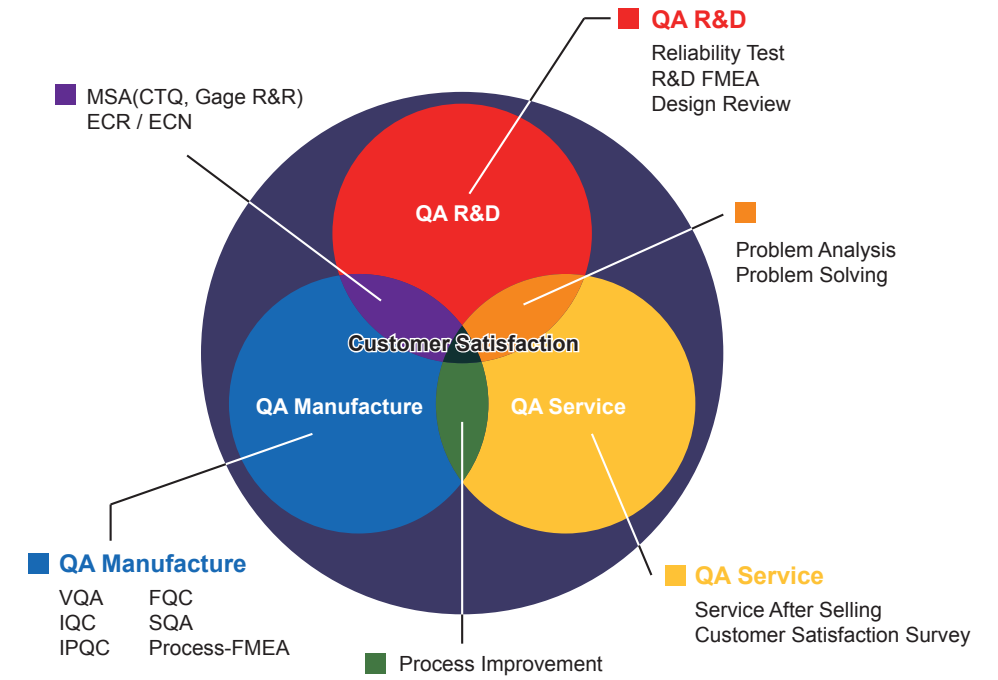
**Netzin Technology Corp.** With a long background in IP Ethernet products, NetZin brings the best network solutions for Industrial and IP networks to the marketplace. The NetZin group is devoted to providing feature rich, high-quality networking solutions with outstanding service and support to our world-wide partners. NetZin core competency is centered around our network software and hardware, which allows for the seamless delivery of a variety of applications and services in diverse network environments.

**Various markets**

Netzin offers a complete family of commercial and industrial grade networking products in support of the global transition to all Ethernet services. Netzin products and solutions provide for the delivery of universal Ethernet services across various markets and applications including:

- Rail Train System
- Building Automation
- Factory Automation
- Petroleum Industry
- Bus Network
- Tunnel Traffic Monitoring
- Wind Power Monitoring
- Power-Substation
- Offshore Platform
- Cruise Liner
- Water Treatment Plant
- ISP Infrastructure
- Surveillance

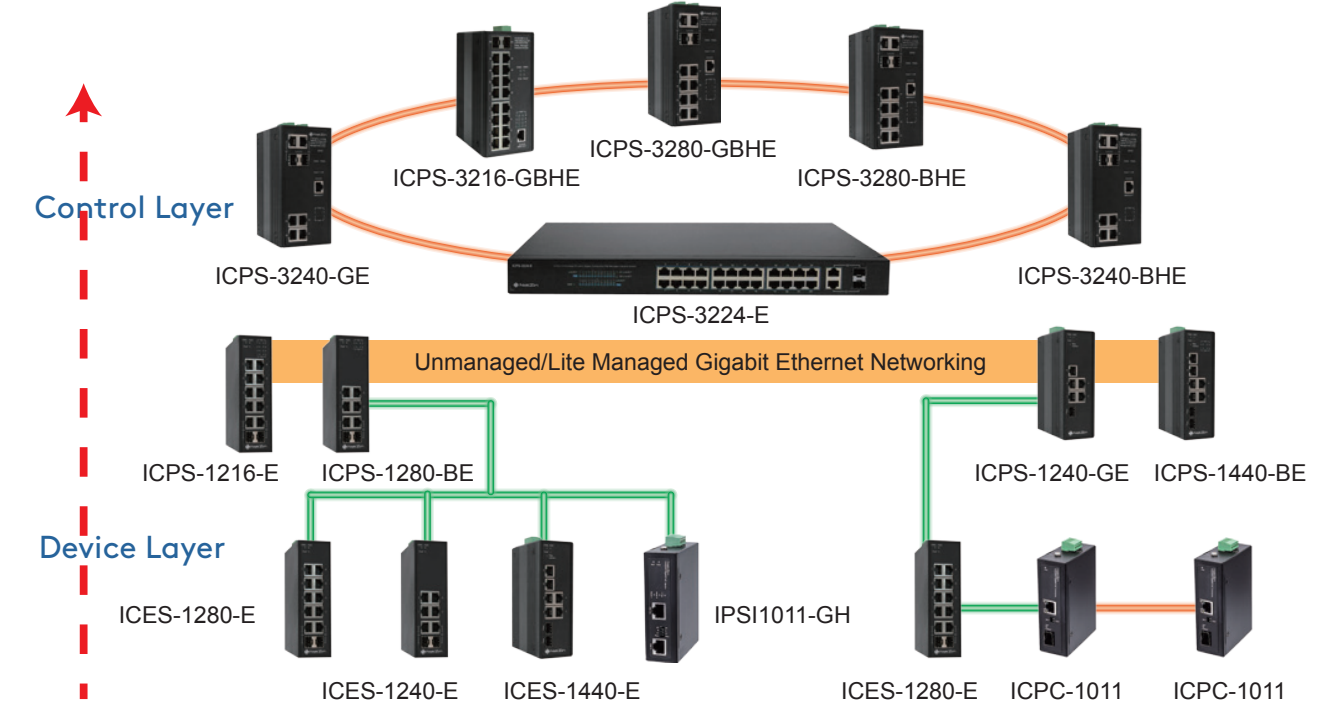
**NetZin Quality**



- More than 10 years design experience & R&D FMEA database
- Software quality control on bug trace system
- HQA & SQA test case server
- ERP control for QA Manufacture

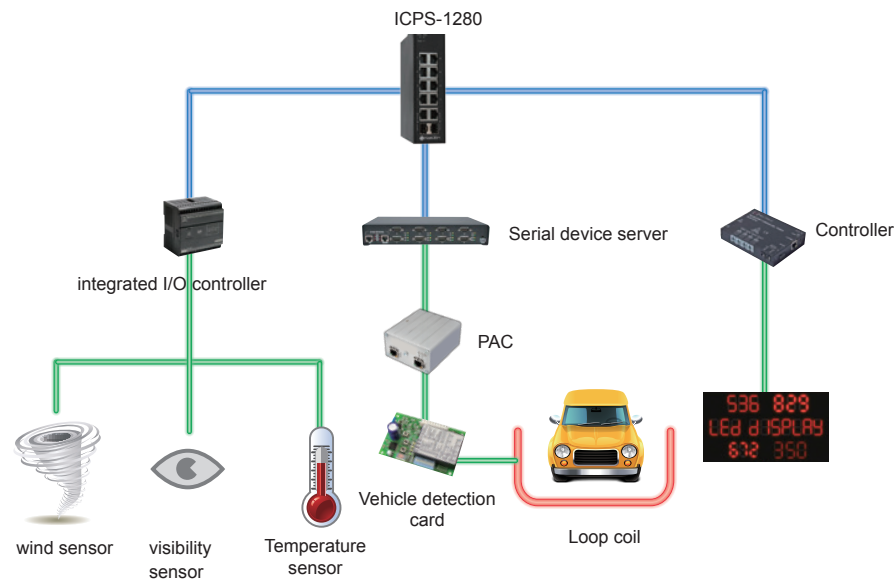
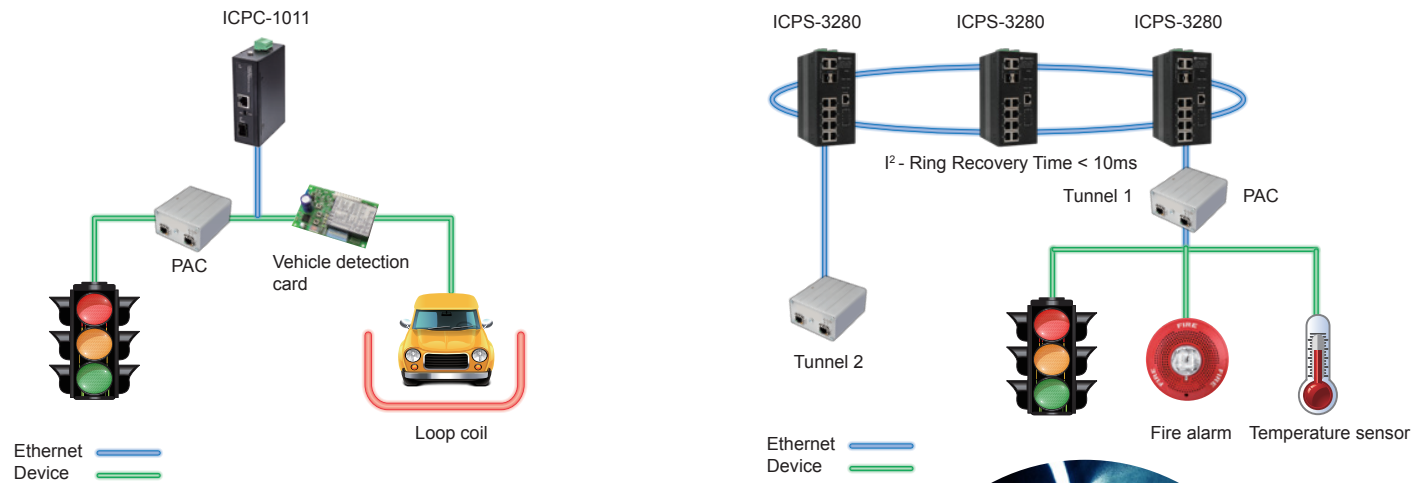
**Netzin Industrial Ethernet**

**Infrastructure**

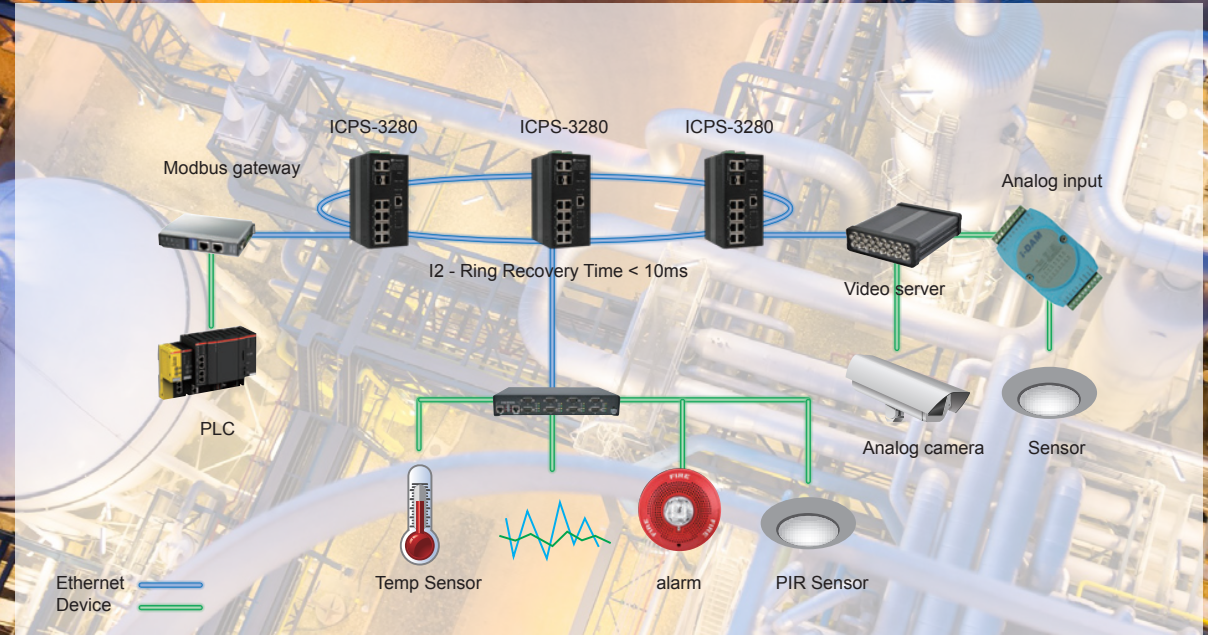




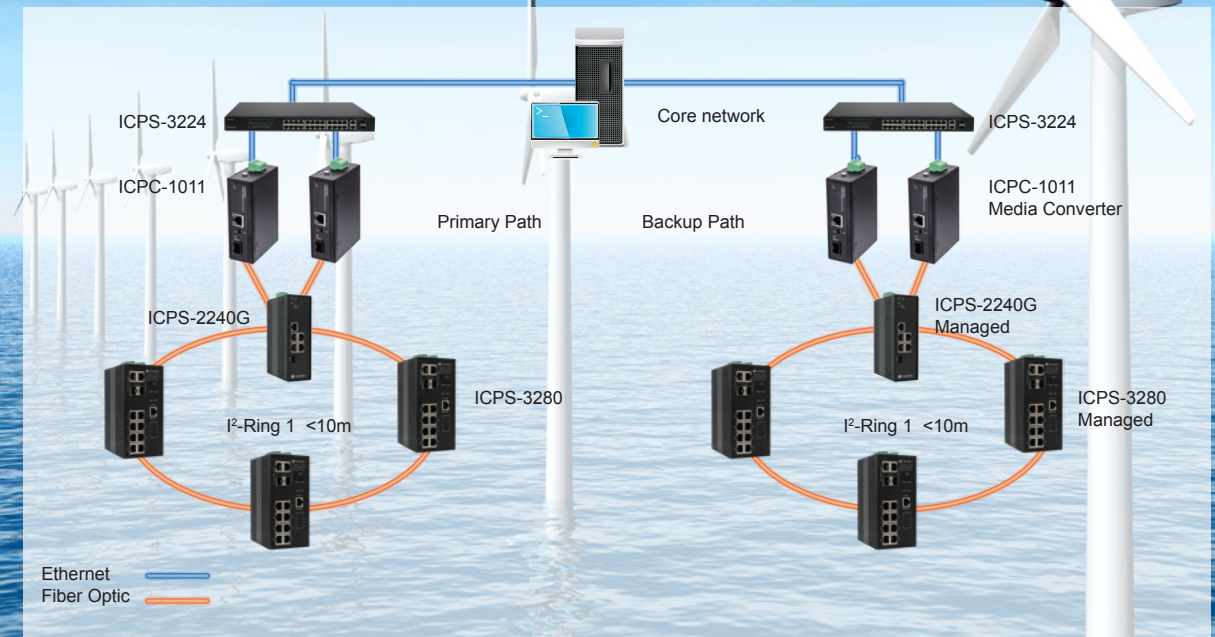
### Intelligent Transportation Systems



### Environmental and Facility Management Systems



### Wind Power Transmission System





**I<sup>2</sup> - Ring Technologies** Impeccable Intelligent = **I<sup>2</sup>**

**I<sup>2</sup> - Ring Technology**

Netzin I<sup>2</sup>-Ring is a proprietary self-healing technology that enables fast fault recovery of under 10 ms (at a full load of 250 switches). I<sup>2</sup>-Ring supports three topology options-Single Ring, Dual-Homing, and Legacy Ring(optional)-to reduce redundant network cabling and network planning costs and to ensure the high reliability of your industrial network applications. However the protocol is compatible with ethernet standard and has been supported by many major Ethernet system providers. Netzin is proud to present our I<sup>2</sup>-Ring which is still suitable and flexible, but more



Redundancy and Fast recovery under 10ms (RSTP and MSTP are more than XXms.)

**STP** ✓

Spanning tree compatibility.



Multiple rings support for each ring domains.

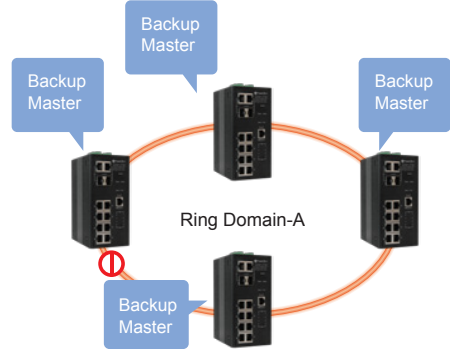


Share the traffic stream and control the bandwidth.

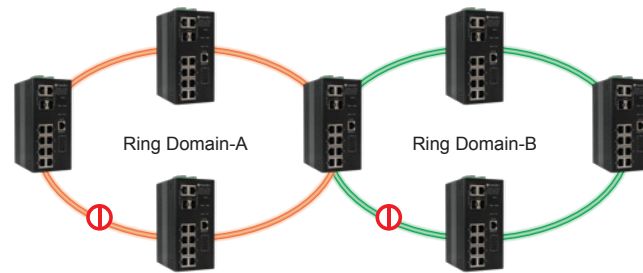


Dual home support

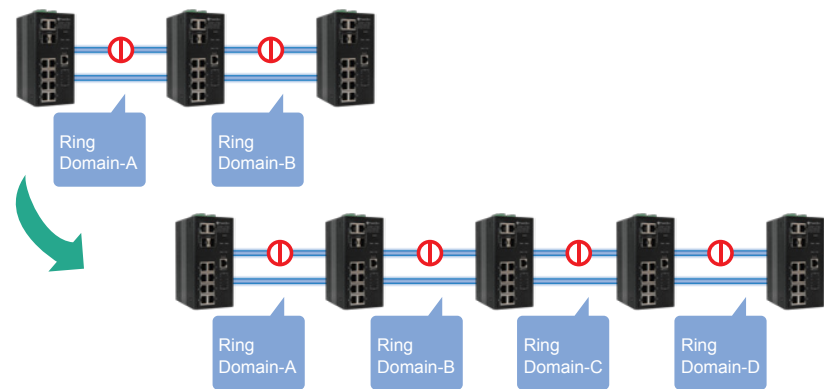
**Single Ring**



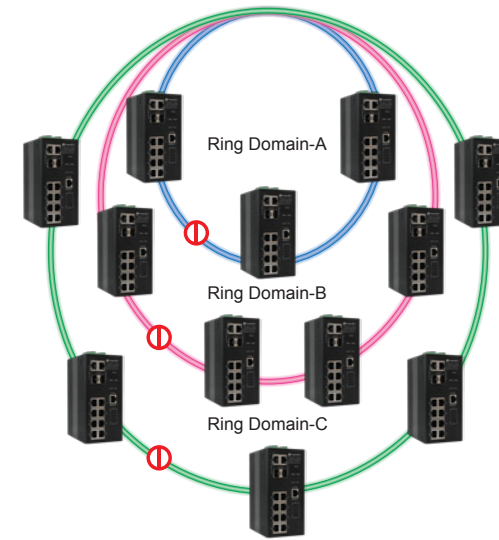
**Dual-Rings**



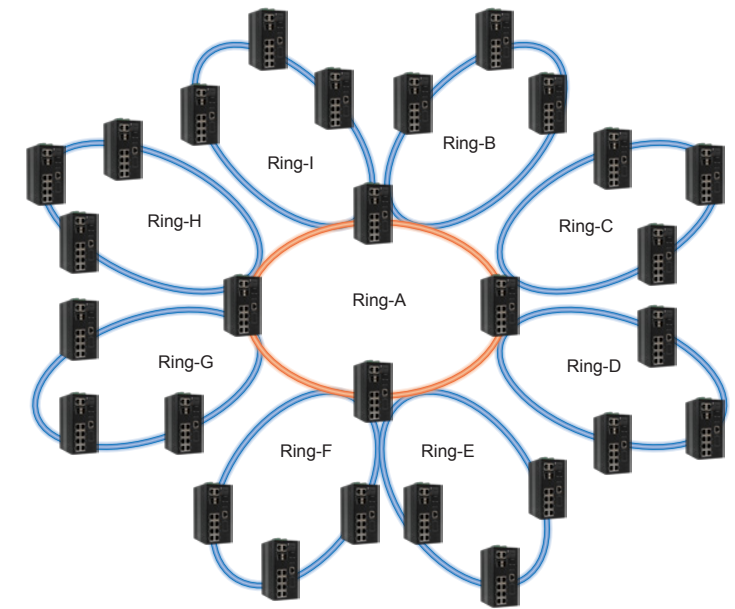
**Redundant Rings**



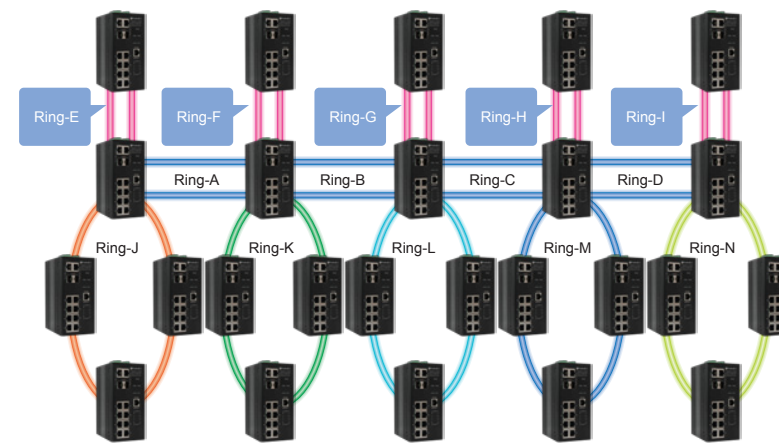
**Multiple Rings**



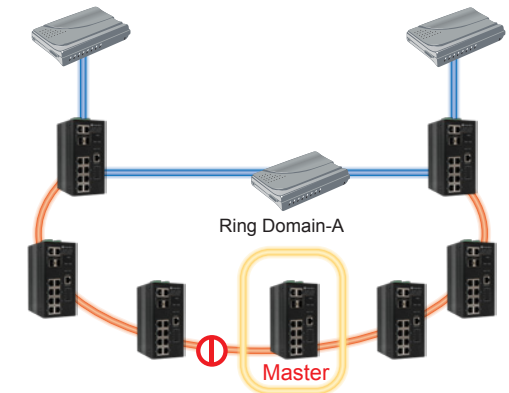
**Multiple Rings W/S Multi-Domain**



**Redundant Rings Connects w/s Ring.**



**Ring compatibility w/s normal switch**

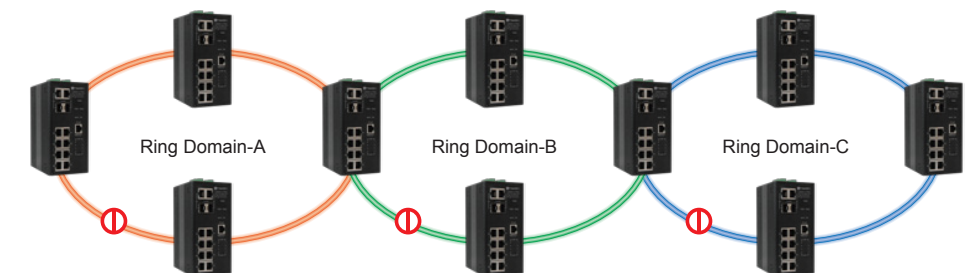


**Netzin I<sup>2</sup> - Chains**

**Adv-Rings Technology**

ADV-Chains is a proprietary self-healing technology for Netzin . That supports more complex topologies according to feed with more industrial applications. ADV-Chains supports five topology options-Cascade Chain , Redundant Coupling w/s Multiple Rings, Redundant Chains-to reduce redundant network cabling and network planning costs and to ensure the high reliability of your industrial network applications.

**I<sup>2</sup> - Chains Cascade Chains**





# Harden Industrial PoE Manged switch



	ICPS-3280-GBHE	ICPS-3080-GBE	ICPS-3216-BHE	ICPS-3280-BHE	ICPS-3080-BHE	ICPS-3240-BHE
<b>HARDWARE FEATURES</b>						
10/100TX			16	8	8	4
10/100/1000T/				2		2
Dual Speed SFP Combo						
100/1000 Dual Speed SFP	2					
Giga Dual Speed SFP Combo			2			
10/100 Dual Speed SFP Combo						
10/100TX Uplink						
100FX Uplink						
10/100/100TX	8	8				
<b>POE</b>						
802.3at/af ( POE+)	8	8	8	8	8	4
802.3at						
Power Supply	48V~54 VDC	48V~54 VDC	12V~54 VDC	12V~54 VDC	12V~54 VDC	12V~54 VDC
Mechanism						
Operating Temperature	-40°C~75°C	-40°C~75°C	-40°C~75°C	-40°C~75°C	-40°C~75°C -40°F~167°F	-40°C~75°C
Storage Temperature	-40°C~85°C	-40°C~85°C	-40°C~85°C	-40°C~85°C	-40°C~85°C -40°F~185°F	-40°C~85°C
IP Rating	IP30	IP30	IP30	IP30	IP30	IP30
Case Dimension (W) x(D) x (H)	42.8x105x152mmY	42.8x105x152mm	59.6x105x152mm	59.6x105x152mm	59.6x105x152mm	59.6x105x152mm
DIN Rall Instanation	Y	Y	Y	Y	Y	Y
Wall Mount Installation		Y	Y	Y	Y	Y
<b>Certification</b>	Y					
CE	Y	Y	Y	Y	Y	Y
FCC	Y	Y	Y	Y	Y	Y
ROHS	Y	Y	Y	Y	Y	Y
WEEE	Y	Y	Y	Y	Y	Y
IEC60068-2-32(Free Fall)	Y	Y	Y	Y	Y	Y
IEC60068-2-27(Shock)	Y	Y	Y	Y	Y	Y
IEC60068-2-6(Vibration)	Y	Y	Y	Y	Y	Y
<b>Softwave Features FEATURES</b>						
Ring with VLAN	Y	Y	Y	Y	Y	Y
Environmental Monitoring	N	N	Y	Y	Y	Y
LLDP/Port Rtrunk	Y	Y	Y	Y	Y	Y
Spanning Tree	Y	Y	Y	Y	Y	Y
Quality of Service	Y	Y	Y	Y	Y	Y
Class of Service	Y	Y	Y	Y	Y	Y
Port Security	Y	Y	Y	Y	Y	Y
Port Mirror	Y	Y	Y	Y	Y	Y
IGMP	Y	Y	Y	Y	Y	Y
IP Security	Y	Y	Y	Y	Y	Y
Flow Control	Y	Y	Y	Y	Y	Y
System Log	Y	Y	Y	Y	Y	Y
Loop protection	Y	Y	Y	Y	Y	Y
Bandwidth Control	Y	Y	Y	Y	Y	Y
DHCP	Y	Y	Y	Y	Y	Y
DNS	Y	Y	Y	Y	Y	Y
Firmware Update	Y	Y	Y	Y	Y	Y
Factory reset & Watchdog design	Y	Y	Y	Y	Y	Y

# Harden Industrial Manged switch



	ICES-3280-GE	ICES-3080-GE	ICES-3216-HE	ICES-3016-HE	ICES-3280-HE	ICES-3080-HE	ICES-3240-HE
<b>HARDWARE FEATURES</b>							
10/100TX			16	16	8	8	4
10/100/1000T/					2		2
Dual Speed SFP Combo							
100/1000 Dual Speed SFP	2		2				
Giga Dual Speed SFP Combo							
10/100 Dual Speed SFP Combo							
10/100TX Uplink							
100FX Uplink							
10/100/100TX	8	8					
<b>Mechanism</b>							
Operating Temperature	-40°C~75°C	-40°C~75°C	-40°C~75°C	-40°C~75°C	-40°C~75°C	-40°C~75°C	-40°C~75°C
Storage Temperature	-40°C~85°C	-40°C~85°C	-40°C~85°C	-40°C~85°C	-40°C~85°C	-40°C~85°C	-40°C~85°C
IP Rating	IP30	IP30	IP30	IP30	IP30	IP30	IP30
Case Dimension (W) x(D) x (H)	42.8x105x152 mm	59.6x105x152 mm	59.6x105x152 mm	59.6x105x152 mm	59.6x105x152 mm	59.6x105x152 mm	59.6x105x152 mm
DIN Rall Instanation	Y	Y	Y	Y	Y	Y	Y
Wall Mount Installation	Y	Y	Y	Y	Y	Y	Y
<b>Certification</b>							
CE	Y	Y	Y	Y	Y	Y	Y
FCC	Y	Y	Y	Y	Y	Y	Y
ROHS	Y	Y	Y	Y	Y	Y	Y
WEEE	Y	Y	Y	Y	Y	Y	Y
IEC60068-2-32(Free Fall)	Y	Y	Y	Y	Y	Y	Y
IEC60068-2-27(Shock)	Y	Y	Y	Y	Y	Y	Y
IEC60068-2-6(Vibration)	Y	Y	Y	Y	Y	Y	Y
<b>Softwave Features FEATURES</b>							
Ring with VLAN	Y	Y	Y	Y	Y	Y	Y
Environmental monitoring	N	N	Y	Y	Y	Y	Y
LLDP /Port Trunk	Y	Y	Y	Y	Y	Y	Y
Spanning Tree	Y	Y	Y	Y	Y	Y	Y
Quality of Service	Y	Y	Y	Y	Y	Y	Y
Class of Service	Y	Y	Y	Y	Y	Y	Y
Port Security	Y	Y	Y	Y	Y	Y	Y
Port Mirror	Y	Y	Y	Y	Y	Y	Y
IGMP	Y	Y	Y	Y	Y	Y	Y
IP Security	Y	Y	Y	Y	Y	Y	Y
Flow Control	Y	Y	Y	Y	Y	Y	Y
System Log	Y	Y	Y	Y	Y	Y	Y
Loop protection	Y	Y	Y	Y	Y	Y	Y
Bandwidth Control	Y	Y	Y	Y	Y	Y	Y
DHCP	Y	Y	Y	Y	Y	Y	Y
DNS	Y	Y	Y	Y	Y	Y	Y
Firmware Update	Y	Y	Y	Y	Y	Y	Y
Factory reset & Watchdog design	Y	Y	Y	Y	Y	Y	Y



# Industrial Rack Manged PoE switch

# Central Managed Switches



	ICPS-3224-E	ICPS-3216-E	ICPS-1224-E	ICPS-1216-E
<b>HARDWARE FEATURES</b>				
10/100TX	24	16	24	16
10/100/1000T/	2	2	2	2
Dual Speed SFP Combo				
100/1000 Dual Speed SFP				
Giga Dual Speed SFP Combo				
10/100 Dual Speed SFP Combo				
10/100TX Uplink				
100FX Uplink				
10/100/100TX				
<b>POE</b>				
802.3at/af ( POE+)	24	16	24	16
802.3at				
Power Supply	48V~54 VDC	48V~54 VDC	12V~54 VDC	12V~54 VDC
Mechanism				
Operating Temperature	-40°C~75°C	-40°C~75°C	-40°C~75°C	-40°C~75°C
Storage Temperature	-40°C~85°C	-40°C~85°C	-40°C~85°C	-40°C~85°C
<b>IP Rating</b>				
IP Rating	IP30	IP30	IP30	IP30
Case Dimension (W) x(D) x (H)	42.8x105x152mm	42.8x105x152mm	59.6x105x152mm	59.6x105x152mm
DIN Rail Instanation	Y	Y	N	N
Wall Mount Installation	Y	Y	N	N
<b>Certification</b>				
CE	Y	Y	N	N
FCC	Y	Y	N	N
ROHS	Y	Y	N	N
WEEE	Y	Y	N	N
IEC60068-2-32(Free Fall)	Y	Y	N	N
IEC60068-2-27(Shock)	Y	Y	N	N
IEC60068-2-6(Vibration)	Y	Y	N	N
<b>Softwave Features FEATURES</b>				
Ring with VLAN	Y	Y	N	N
Environmental Monitoring	N	N	N	N
LLDP/Port Rtunk	Y	Y	N	N
Spanning Tree	Y	Y	N	N
Quality of Service	Y	Y	N	N
Class of Service	Y	Y	N	N
Port Security	Y	Y	N	N
Port Mirror	Y	Y	N	N
IGMP	Y	Y	N	N
IP Security	Y	Y	N	N
Flow Control	Y	Y	N	N
System Log	Y	Y	N	N
Loop protection	Y	Y	N	N
Bandwidth Control	Y	Y	N	N
DHCP	Y	Y	N	N
DNS	Y	Y	N	N
Firmware Update	Y	Y	N	N
Factory reset	Y	Y	N	N

	CES-3424-G	CES-3216-G
<b>HARDWARE FEATURES</b>		
10/100TX		
10/100/1000T	24	16
100/1000 Dual Speed SFP		2
Giga Dual Speed SFP	4	
<b>POE</b>		
802.3at/af	24	16
802.3at		
Power Supply	100V~240VDC	100V~240VDC
Mechanism		
Operating Temperature	0°C~50°C 32F~122°F	0°C~50°C 32F~122°F
Storage Temperature	-20°C~75°C 4°F~167°F	-20°C~75°C 4°F~167°F
IP Rating	N/A	N/A
Case Dimension (W) x(D) x (H)	330x204x44mm	330x204x44mm
DIN Rail Installation	N	N
Wall Mount Installation	Y	Y
<b>Certification</b>		
CE	Y	Y
FCC	Y	Y
ROHS	Y	Y
WEEE	Y	Y
IEC60068-2-32(Free Fall)	N	N
IEC60068-2-27(Shock)	N	N
IEC60068-2-6(Vibration)	N	N
<b>Softwave Features FEATURES</b>		
VLAN	Y	Y
Port Trunk	Y	Y
LLDP	Y	Y
Spanning Tree	Y	Y
Quality of Service	Y	Y
Class of Service	Y	Y
Port Security	Y	Y
Port Mirror	Y	Y
IGMP	Y	Y
IP Security	Y	Y
Flow Control	Y	Y
System Log	Y	Y
Loop protection	Y	Y
Bandwidth Control	Y	Y
DHCP	Y	Y
DNS	Y	Y
Firmware Update	Y	Y
Factory reset	Y	Y



# Industrial Unmanged POE switch



	ICPS-1280-GE	ICPS-1240-GE	ICPS-1280-BE	ICPS-1240-CBE	ICPS-1440-BE	ICPS-1280-BE
<b>HARDWARE FEATURES</b>						
10/100TX			8	4	4	4
10/100/1000T	2	2				
Dual Speed SFP			2	2		
10/100/1000T Dual Speed SFP Combo						
Giga Dual Speed SFP						
100/1000 Dual Speed SFP						
Giga Dual Speed SFP Combo						
10/100 Dual Speed SFP Combo						
10/100TX Uplink					2	1
100FX Uplink					2	1
10/100/100TX	8	4				
<b>POE</b>						
802.3at/af (POE+)	8	4	8	4	4	4
802.3at						
Power Supply	48~54VDC	48~54VDC	12~54 VDC	12~54 VDC	12~54 VDC	12~54 VDC
<b>Mechanism</b>						
Operating Temperature	-40°C~75°C -40°F~167°F	-40°C~75°C -40°F~167°F	-40°C~75°C -40°F~167°F	-40°C~75°C -40°F~167°F	-40°C~75°C -40°F~167°F	-40°C~75°C -40°F~167°F
Storage Temperature	-40°C~85°C -40°F~185°F	-40°C~85°C -40°F~185°F	-40°C~85°C -40°F~185°F	-40°C~85°C -40°F~185°F	-40°C~85°C -40°F~185°F	-40°C~85°C -40°F~185°F
IP Rating	IP30	IP30	IP30	IP30	IP30	IP30
Case Dimension (W) x(D) x (H)	43x105x142mm	43x105x142mm	43x105x142mm	36.2x105x142mm	43x105x152mm	43x105x152mm
DIN Rall Instanation	Y	Y	Y	Y	Y	Y
Wall Mount Installation	Y	Y	Y	Y	Y	Y
<b>Certification</b>						
CE	Y	Y	Y	Y	Y	Y
FCC	Y	Y	Y	Y	Y	Y
ROHS	Y	Y	Y	Y	Y	Y
WEEE	Y	Y	Y	Y	Y	Y
IEC60068-2-32 (Free Fall)	Y	Y	Y	Y	Y	Y
IEC60068-2-27(Shock)	Y	Y	Y	Y	Y	Y
IEC60068-2-6(Vibration)	Y	Y	Y	Y	Y	Y

# Industrial Unmanaged switch



	ICES-1280-E	ICES-1240-CE	ICES-1440-E	ICES-1240-E
<b>HARDWARE FEATURES</b>				
10/100TX	8	4	4	4
10/100/1000T				
10/100/1000T Dual Speed SFP Combo	2	2		
100/1000 Dual Speed SFP				
Giga Dual Speed SFP				
10/100 Dual Speed SFP Combo				
10/100TX Uplink			2	1
100FX Uplink			2	1
10/100/100TX				
<b>Mechanism</b>				
Operating Temperature	-40°C~75°C -40°F~167°F	-40°C~75°C -40°F~167°F	-40°C~75°C -40°F~167°F	-40°C~75°C -40°F~167°F
Storage Temperature	-40°C~85°C -40°F~185°F	-40°C~85°C -40°F~185°F	-40°C~85°C -40°F~185°F	-40°C~85°C -40°F~185°F
IP Rating	IP30	IP30	IP30	IP30
Case Dimension (W) x(D) x (H)	43x105x142mm	43x105x142mm	43x105x142mm	43x105x142mm
DIN Rall Instanation	Y	Y	Y	Y
Wall Mount Installation	Y	Y	Y	Y
<b>Certification</b>				
CE	Y	Y	Y	Y
FCC	Y	Y	Y	Y
ROHS	Y	Y	Y	Y
WEEE	Y	Y	Y	Y
IEC60068-2-32(Free Fall)	Y	Y	Y	Y
IEC60068-2-27(Shock)	Y	Y	Y	Y
IEC60068-2-6(Vibration)	Y	Y	Y	Y

# Industrial Media converter



	ICMC-1011-G	ICPC-1011G	IPSI-1011-GH
<b>HARDWARE FEATURES</b>			
10/100/1000T	1	1	1
1000M SFP	1	1	
100/1000 Dual Speed SFP			
Giga Dual Speed SFP			
10/100 Dual Speed SFP Combo			
10/100TX Uplink			
100FX Uplink			
10/100/1000TX			
1000M SFP			
<b>POE</b>			
802.3at/af		1	1
802.3at			
<b>Power Supply</b>	48~56VDC	48~56VDC	48~56VDC
<b>Mechanism</b>			
<b>Operating Temperature</b>	-40°C~75°C -40°F~167°F	-40°C~75°C -40°F~167°F	-40°C~75°C -40°F~167°F
<b>Storage Temperature</b>	-40°C~85°C -40°F~185°F	-40°C~85°C -40°F~185°F	-40°C~85°C -40°F~185°F
<b>IP Rating</b>	IP30	IP30	IP30
<b>Case Dimension (W) x(D) x (H)</b>	32x81.5x103mm	32x81.5x103mm	32x81.5x103.5mm
<b>DIN Rail Installation</b>	Y	Y	Y
<b>Wall Mount Installation</b>	Y	Y	Y
<b>Certification</b>			
CE	Y	Y	Y
FCC	Y	Y	Y
ROHS	Y	Y	Y
WEEE	Y	Y	Y
IEC60068-2-32(Free Fall)	Y	Y	Y
IEC60068-2-27(Shock)	Y	Y	Y
IEC60068-2-6(Vibration)	Y	Y	Y

# Industrial Media converter



	IDAM-2004D	IDAM-2008AD
<b>Interface</b>		
□Communication	RS485	RS485
<b>Transfer Rate</b>	MODBUS RTU and ASCII Command	MODBUS RTU and ASCII Command
<b>Baud Rate (bps)</b>	1200, 2400, 4800, 9600, 19200, 38400, 115200	1200, 2400, 4800, 9600, 19200, 38400, 115200
<b>LED Indicator</b>	LED for Power and 16 LEDs as Digital indicators	LED for Power and 16 LEDs as Digital indicators
<b>Isolation Voltage</b>	3000VDC	3000VDC
<b>Digital output</b>		
<b>Relay Channels</b>	4 Relay Output	
<b>Relay Type</b>	RL1,RL2 Form-A, RL3,RL4 Form-C	
<b>Output Channels</b>		8 Non-isolated output channels
<b>Output Type</b>		Open collector (NPN)
<b>Contact Rating</b>	AC 0.6A/125V ,0.3A/250V DC 2A/30VDC ,0.6A/110V	
<b>Breakdown Voltage</b>	OPEN Contacts : 500Vrms Contacts and coil : 1000Vrms	
<b>FCC surge voltage</b>	Contacts and coil : 1500V	
<b>Insulation Resistance</b>	100M ohm(at 500VDC)	
<b>Operate Time</b>	3ms	
<b>Release Time</b>	2ms	
<b>Min. Operations</b>	500000 (At 2A/30VDC) time	
<b>Digital Input</b>		
<b>Input Channels</b>	4 Isolated input channels	8 Non-isolated output channels
<b>Logical Low</b>	+1V max.	+1V max.
<b>Logical High</b>	Open collector	+3.5V ~ +30V
<b>Input Impedance</b>	3K ohms	
<b>Isolation Voltage</b>	3750Vrms	
<b>Power Requirement</b>		
<b>Power Consumption</b>	1.5 W/Typical	1.5 W/Typical
<b>Power Input</b>	+10 ~ +30 VDC	+10 ~ +30 VDC
<b>Humidity</b>	5 ~ 95% RH, non-condensing	5 ~ 95% RH, non-condensing
<b>Fan Number</b>	0	0





Industrial Power Pack	DRP-240	DRP-120-48	DR-75-48
OUTPUT			
DC VOLTAGE	24V	24V	48V
RATED CURRENT	10A	2.5A	1.6A
RATED POWER	240W	120W	76.8W
VOLTAGE ADJ. RANGE Note.7	48~53V	48~53V	48V~53V
INPUT			
VOLTAGE RANGE Note.5	85~264VAC 120~370VDC	88~132VAC /176~264VAC 248~370VDC	85~264VAC 120~370VDC
FREQUENCY RANGE	47 ~ 63Hz	47 ~ 63Hz	47 ~ 63Hz
PROTECTION			
OVERLOAD	105~150%rated output power Protection type : Constant current limiting, recovers automatically after fault condition is removed	105~150%rated output power Protection type : Constant current limiting, recovers automatically after fault condition is removed	105~150%rated output power Protection type : Constant current limiting, recovers automatically after fault condition is removed
OVER VOLTAGE	30~36VProtection type : Shut down o/p voltage, re-power on to recover	58~65VProtection type : Shut down o/p voltage, re-power on to recover	58~65VProtection type : Shut down o/p voltage, re-power on to recover
OVER TEMPERATURE	85°C± 5°C (TSW1) detect on heat sink of power transistor Protection type : Shut down o/p voltage, recovers automatically after temperature goes down	90°C± 5°C (TSW1) detect on heat sink of power transistor Protection type : Shut down o/p voltage, recovers automatically after temperature goes down	85°C± 5°C (TSW1) detect on heat sink of power transistor Protection type : Shut down o/p voltage, recovers automatically after temperature goes down
ENVIRONMENT			
WORKING TEMP.	-10 ~ +70°C (Refer to output load derating curve)	-10 ~ +60°C (Refer to output load derating curve)	-10 ~ +60°C (Refer to output load derating curve)
WORKING HUMIDITY	20 ~ 90% RH non-condensing	20 ~ 90% RH non-condensing	20 ~ 90% RH non-condensing
STORAGE TEMP., HUMIDITY	-20 ~ +85 , 10 ~ 95% RH	-20 ~ +85 , 10 ~ 95% RH	-20 ~ +85 , 10 ~ 95% RH
VIBRATION	10 ~ 500Hz, 2G 10min./1cycle, period for 60min. each along X, Y, Z axes; Mounting: Compliance to IEC60068-2-6	10 ~ 500Hz, 2G 10min./1cycle, period for 60min. each along X, Y, Z axes; Mounting: Compliance to IEC60068-2-6	10 ~ 500Hz, 2G 10min./1cycle, period for 60min. each along X, Y, Z axes; Mounting: Compliance to IEC60068-2-6
SAFETY & EMC			
SAFETY STANDARDS	UL508, UL60950-1, TUV EN60950-1 approved	UL508, UL60950-1, TUV EN60950-1 approved	UL508, UL60950-1, TUV EN60950-1 approved
EMI CONDUCTION&	Compliance to EN55011,	Compliance to EN55011,	Compliance to EN55011,
RADIATION	EN55022(CISPR22)classB	EN55022(CISPR22)classB	EN55022(CISPR22)classB
HARMONICCURRENT	Compliance to EN61000-3-2,-3	Compliance to EN61000-3-2,-3	Compliance to EN61000-3-2,-3
EMC IMMUNITY	Compliance to EN61000-4-2,3,4, 5,6,8,11, ENV50204, EN55024, EN61000-6-2 (EN50082-2), heavy industry level, criteria A	Compliance to EN61000-4-2,3,4, 5,6,8,11, ENV50204, EN55024, EN61000-6-2 (EN50082-2), heavy industry level, criteria A	Compliance to EN61000-4-2,3,4, 5,6,8,11, ENV50204, EN55024, EN61000-6-2 (EN50082-2), heavy industry level, criteria A
OTHERS			
MTBF	289.9Khrs min MIL-HDBK-217F (25°C)	432.1Khrs min. MIL-HDBK-217F (25°C)	123.1Khrs min. MIL-HDBK-217F (25°C)
DIMENSION	125.5*125.2*100mm(W*H*D)	65.5*125.2*100mm (W*H*D)	55.5*125.2*100mm (W*H*D)
PACKING	1.2Kg; 12pcs / 15.5Kg / 1.29CUFT	0.79Kg; 20pcs/16.5Kg/1.29CUFT	0.6Kg; 20pcs/13Kg/1.29CUFT



SFP 125Mbps

Part Number	Wavelength	LD	IO	LOS	Mode	Link	Temp.
CT-100-MM2	1310nm	FP	AC/AC	TTL	Multi-mode	2km	-10~70 ° c
CT-100-MM5	1310nm	FP	AC/AC	TTL	Multi-mode	5km	-10~70 ° c
CT-100-SM30	1310nm	FP	AC/AC	TTL	Single-mode	30km	-10~70 ° c

SFP 1.25Gbps

Part Number	Wavelength	LD	IO	LOS	Mode	Link	Temp
CT-1000-SX	850nm	VCSEL	AC/AC	TTL	Multi-mode	550m	-10~70 ° c
CT-1000-MM2	1310nm	FP			Multi-mode	2km	
CT-1000-MM10	1310nm	FP			10km		
CT-1000-MM40	1310nm	DFB			40km		
CT-1000-MM50	1550nm	DFB			50km		
CT-1000-MM60	1550nm	DFB			60km		
CT-1000-MM80	1550nm	DFB			80km		
CT-1000-MM120	1550nm	DFB			120km		

SFP 1000T

Part Number	Description
CT-1000-TX	10-100/1000Base-T,SFP,100m,3.3V, -10~70 ° c
CT-1000-TXI	10-100/1000Base-T,SFP,100m,3.3V, -40~85 ° c

BiDi SFP 1.25Gbps/125Mbps

Part Number	TX	LD	RX	IO	LOS	Link	Temp				
CT-13-BD-10	1310nm	FP	1550nm	AC/AC	TTL	10km	-10~70 ° c				
CT-13-BD-20		FP				20km					
CT-13-BD-40		DFP				40km					
CT-13-BD-60		DFP				60km					
CT-14-BD-80	1490nm	DFP				80km					
CT-13-BDI-10	1310nm	FP				1550nm		AC/AC	TTL	10km	-40~85 ° c
CT-13-BDI-20		FP								20km	
CT-13-BDI-40		DFP								40km	
CT-13-BDI-60		DFP								60km	
CT-14-BDI-80		1490nm								DFP	
CT-15-BD-10		1550nm	DFP	1310nm	AC/AC		TTL			10km	
CT-15-BD-20	20km										
CT-15-BD-40	40km										
CT-15-BD-60	60km										
CT-15-BD-80	80km										
CT-15-BDI-10	1550nm					DFP		1310nm	AC/AC	TTL	10km
CT-15-BDI-20		20km									
CT-15-BDI-40		40km									
CT-15-BDI-60		60km									
CT-15-BDI-80		80km									
CT-15-BDI-80		1490nm		80km							

125Mbps/1.25Gbps Dual-rate

Part Number	Wavelength	LD	IO	LOS	Mode	Link	Temp.
CT-13-DR-SM10	1310nm	FP	AC/AC	TTL		10km	-10~70 ° c
CT-13-DRI-SM10	1310nm	FP	AC/AC	TTL		10km	-40~85 ° c